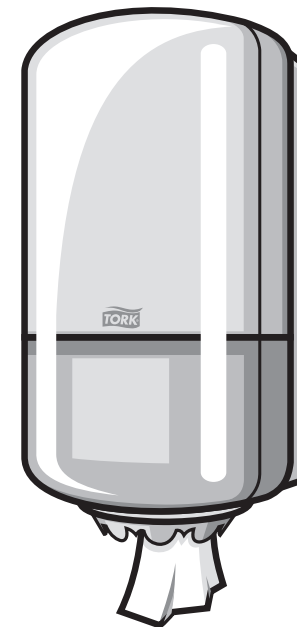


Mini Centrefeed Dispenser

M1

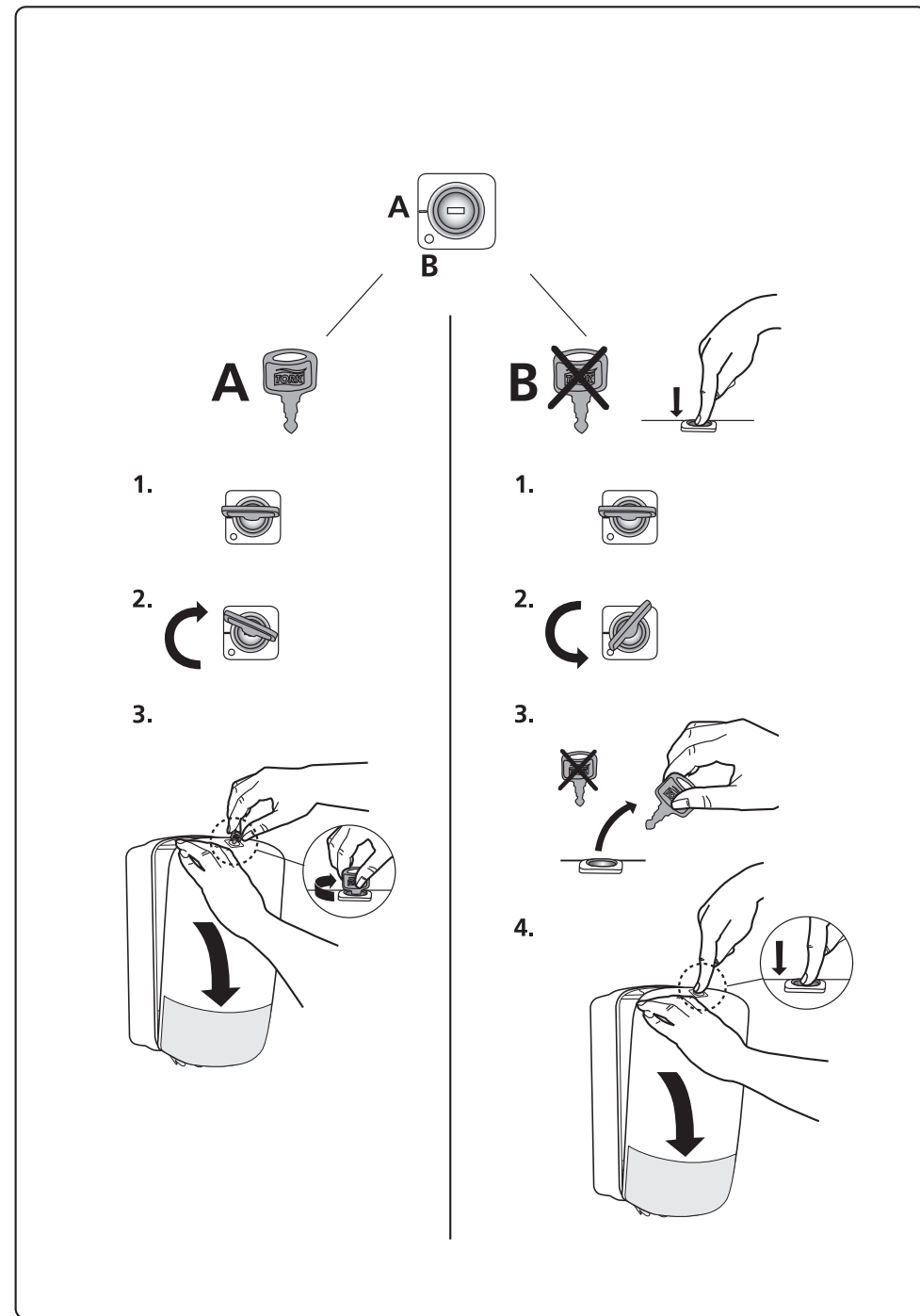
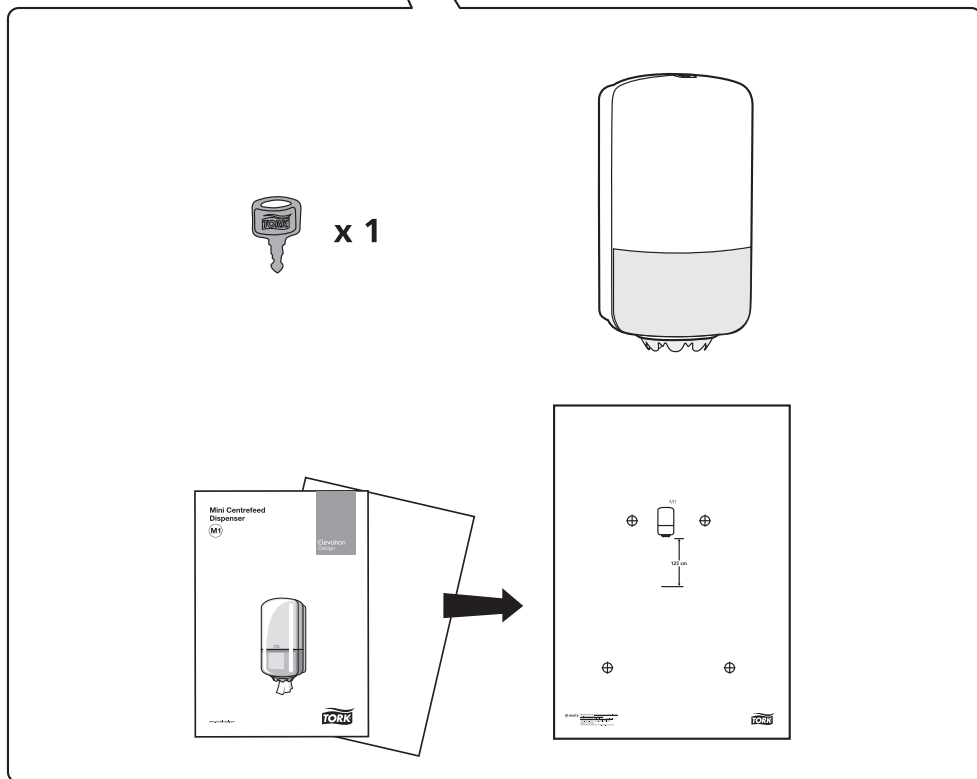
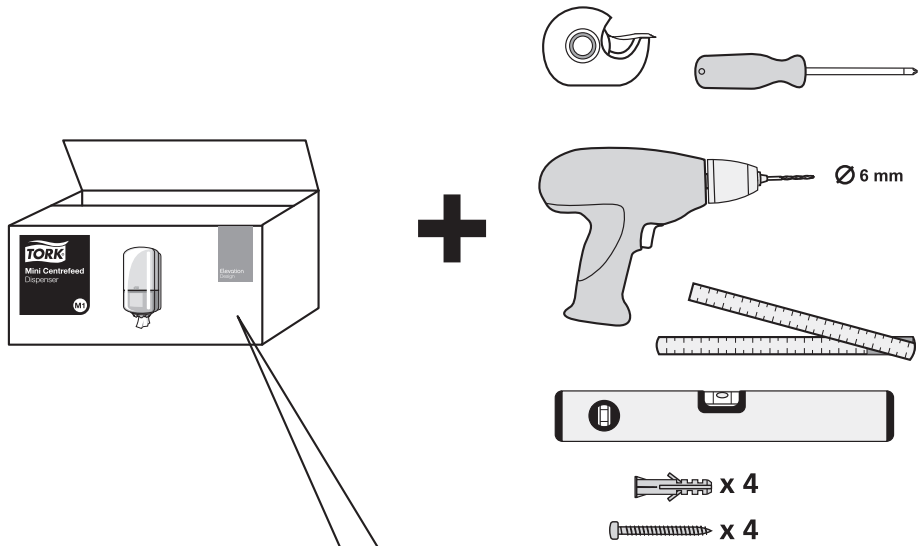
Elevation
Design



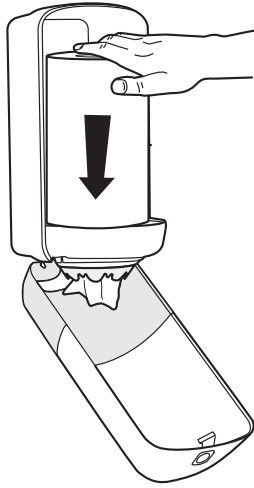
Manufactured by Essity Hygiene and Health AB
SE-40503 Göteborg, Sweden
Visiting address: Mölndals Bro 2, Mölndal
www.essity.com, www.torkglobal.com
Made in Germany
Patents/Brevets/Patentes: www.essity.com/patents
Essity UK Limited
Southfields Road, Dunstable,
Bedfordshire, LU6 3EJ, UK

www.torkglobal.com





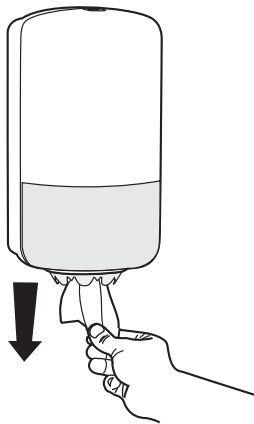
3.



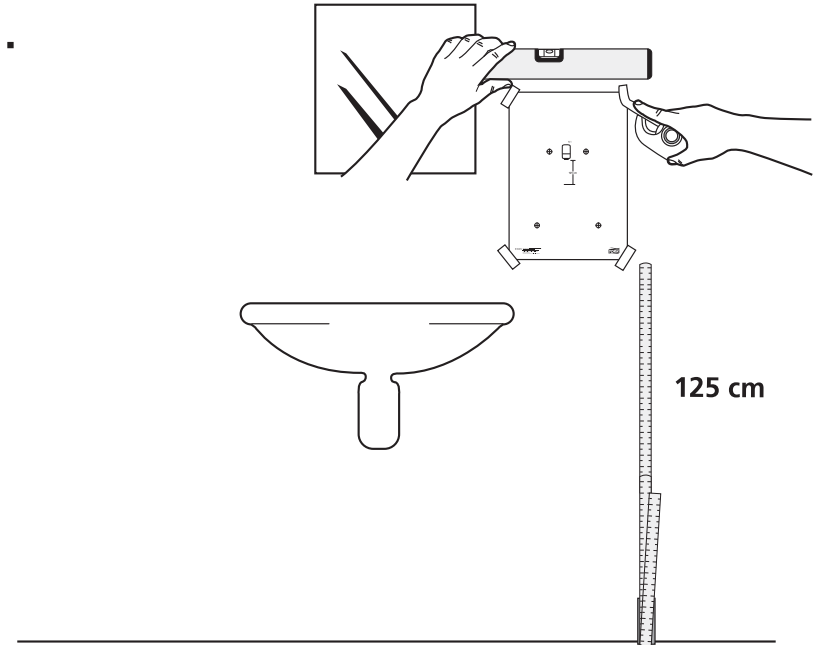
4.



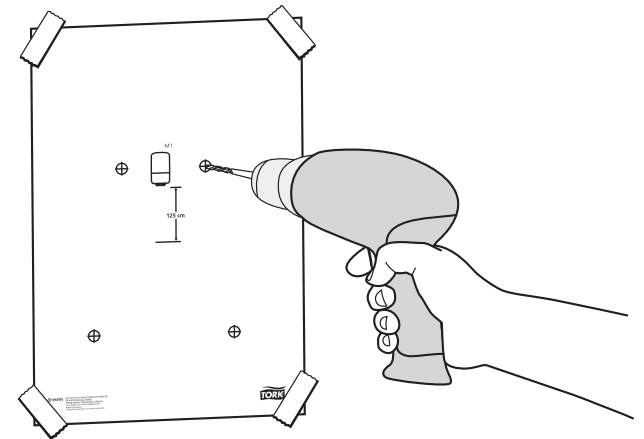
5.



1.



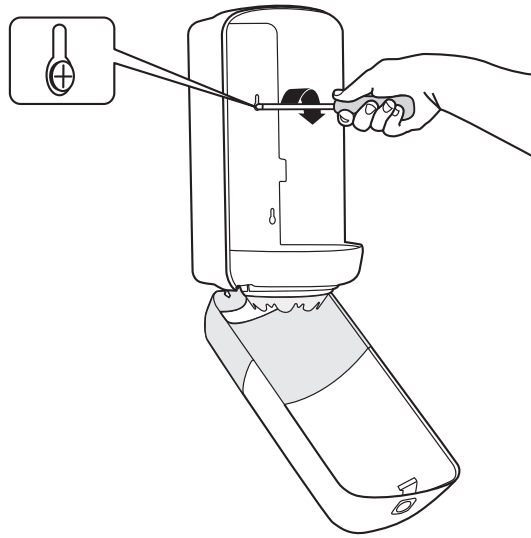
2.



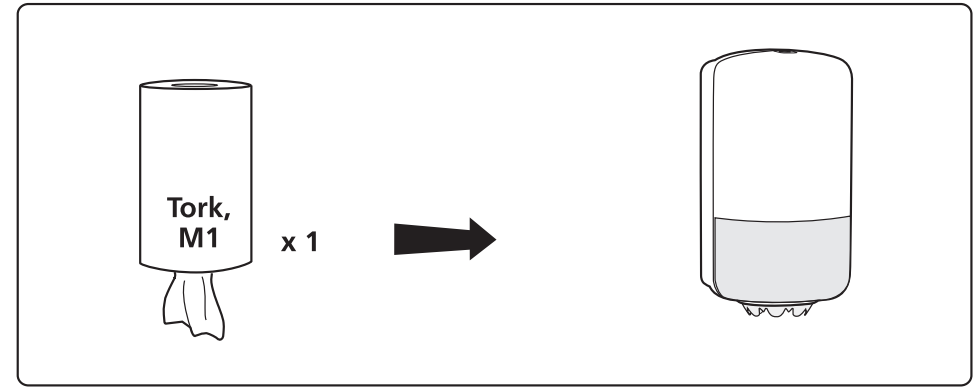
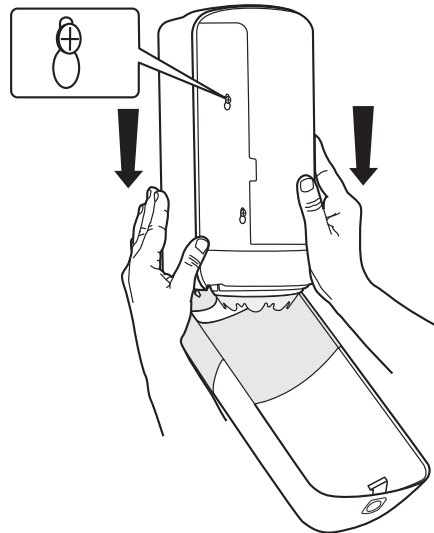
3.

 x 4

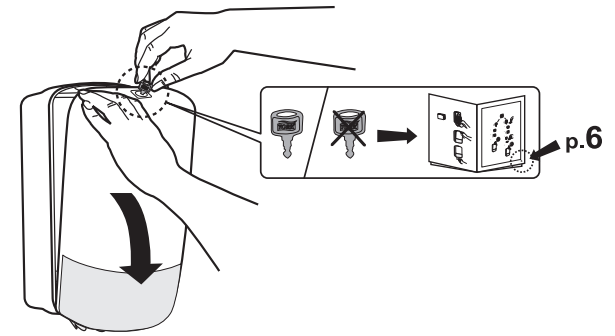
 x 4



4.



1.



2.

